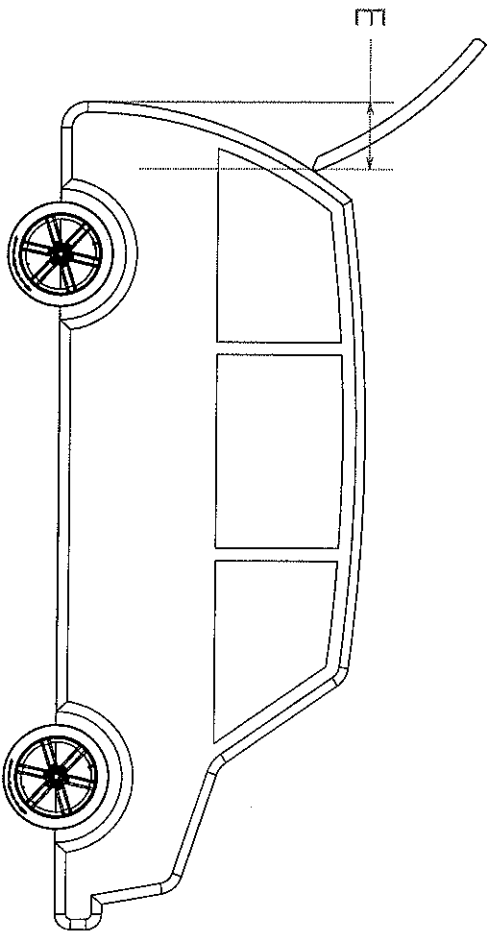
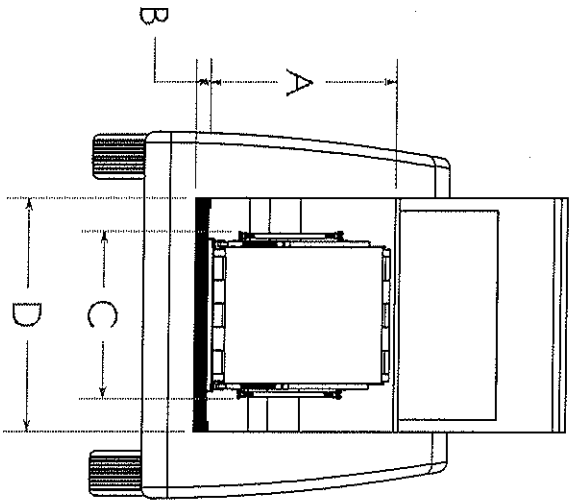


VAN RAMP INSTALLATION INSTRUCTIONS



Minimum Dimensions Required			
Model	A	D	E
VAN727	37"	34"	18"
VAN827	41"	34"	18"

Determine dimension "A" by measuring from van floor to top of door opening then subtracting height of threshold (if present) dimension "B". Conversion kit may be required if threshold is present. Consult Conversion Kit instructions.

Set folded ramp in van doorway making sure ramp has clearance on both sides. Allow 1/4" minimum clearance between ramp and rear door when closed.

Mark ramp mounting plate location on van floor. Remove ramp and drill four 7/16" holes through van floor (make sure that no wires, brake lines, fuel lines, tanks etc. will be disturbed). Set ramp back in van using holes in floor as template mark underside of mounting plate. Drill four 7/16" holes in mounting plate.

Bolt ramp in place using four 5/16" x 2" bolts and self-locking nuts. Make sure to use flat washers on underside of van floor.

Qty	Hardware Description
1	Instruction Manual
1	Ramp DVD
1	Allow Space Sticker
1	Installation Instructions
4	5/16" x 2" All Thread Bolt
4	5/16" Lock Nut
8	5/16" Flat Washer